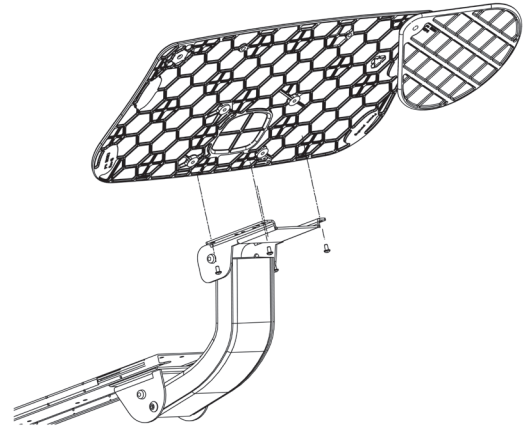
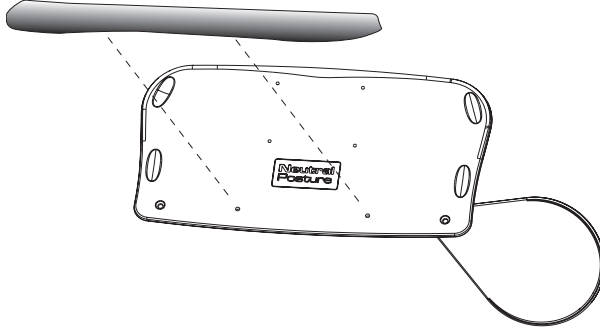


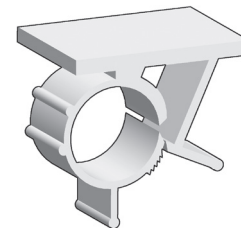
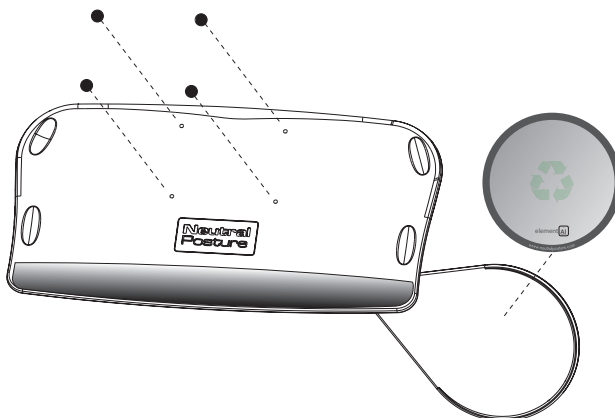
elemenAI™ Keyboard Tray Assembly

- Time 10 minutes
People 1
Tools Wrench or 3/8" socket
Parts elmentAI® Aluminum Keyboard Tray, Palm Rest, Screws (6), Non-Skid Keyboard Pads (4), Mousepad (1), Wire Clips (2)

1. Align palm rest with keyboard tray and tighten screws. (Do not install palm rest if using Microsoft curved keyboards)
2. Align keyboard tray with mech (as shown) and tighten 3/8" lock nuts.



3. Position and attach the anti-skid pads on the keyboard tray so that they are aligned with surface contacts of the key board. Place non-slip mousepad on the mouse tray. NOTE: To clean and restore non-slip mousepad, wash with glass cleaner or soap and warm water. Rinse and air dry.
4. Wire clips may be attached to any part of the elmentAI™ keyboard tray or mouse tray, and are removable as necessary.



NOTE: Mouse tray(s) should not be removed and reattached by the end user. Please contact customer service for more information.